

D100 Light System – 15 Degree
D100 Light System – 30 Degree

700-DH-341
700-DH-342

MANUAL

TABLE OF CONTENTS

D100 Light System

Items Included	3
Physical Characteristics	3
Reference Guide	4-5
Installation	6
Battery	7
Operational Modes	7

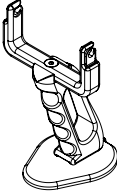
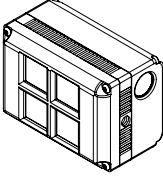
CARE/CLEANING	8
----------------------	---

WARNINGS/WARRANTY	8-9
--------------------------	-----






CONTACT FOXFURY	9
------------------------	---

D100 LIGHT SYSTEM

ITEMS INCLUDED

	HANDLE AND STAND ASSEMBLY	D100° Light
<p>D100 LIGHT SYSTEM</p> <p>P/N 700-DH-341</p> <p>P/N 700-DH-342</p>		





ITEMS INCLUDED

-  D100° Light (15° or 30°)
-  Handle and Stand
-  Lanyard
-  XTAR Battery Charger
-  (2) Rechargeable 18650 Li-Ion Batteries

PHYSICAL CHARACTERISTICS

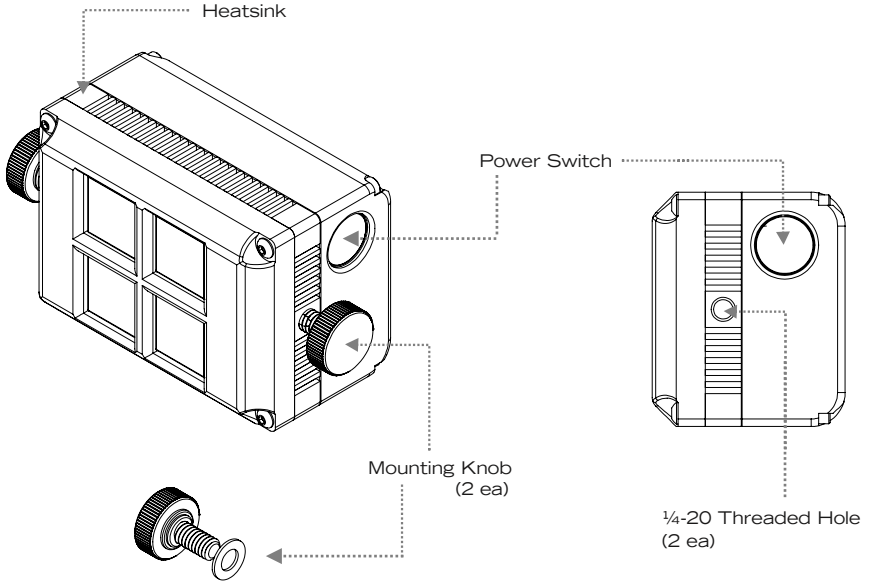
DIMENSIONS	4.13 x 5.13 x 8.11 in (105 x 130 x 206 mm)
WEIGHT	0.9 lbs (408 g) 1.1 lbs (500 g) with provided 18650 Li-Ion Batteries

WARNINGS

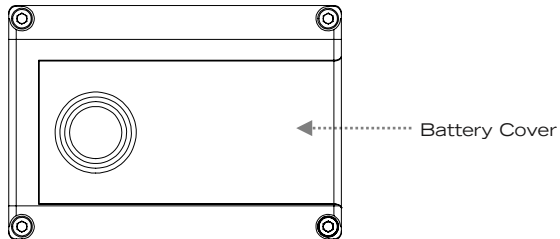
-  Please fully charge the provided 18650 batteries before using the D100° for the first time.
-  Do not stare into the LEDs for long periods of time or from close range (less than 2 ft / 0.6 m)
-  While using any FoxFury product, please operate at safe speeds.
-  The D100° will become hot to touch after 20 min of continuous use. Please handle carefully by avoiding contact with the metal heatsink.

D100 LIGHT SYSTEM REFERENCE GUIDE

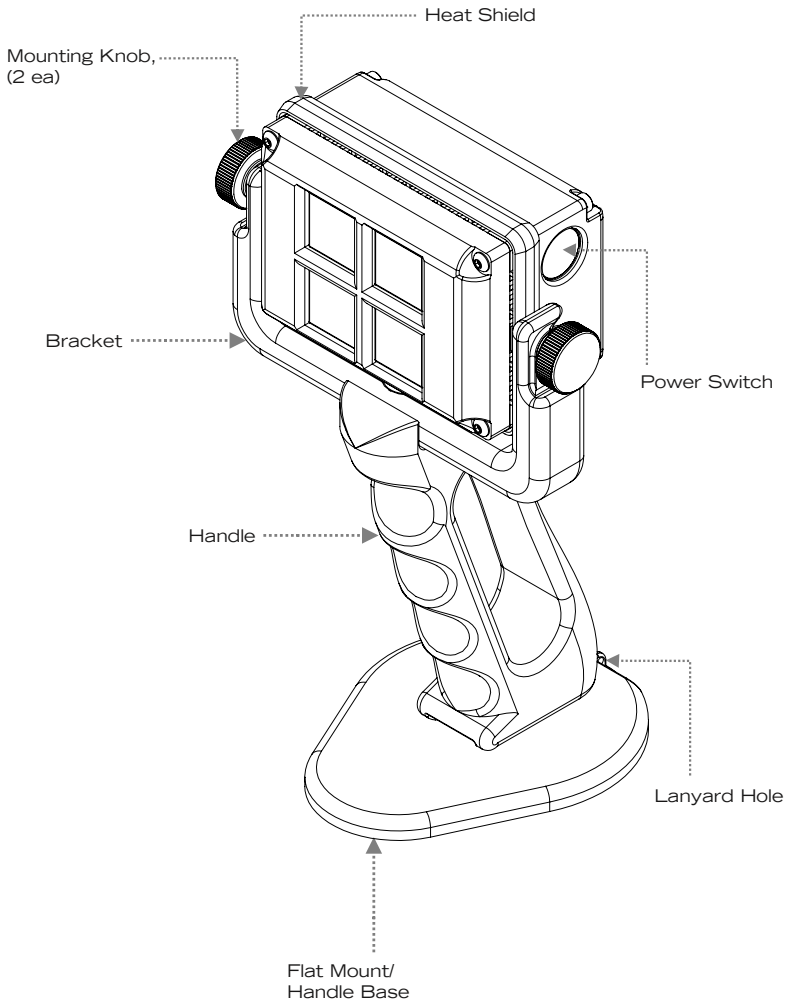
D100 LIGHT HEAD



Back View

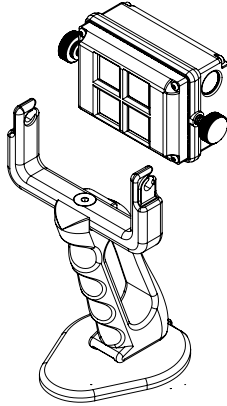


D100 LIGHT SYSTEM REFERENCE GUIDE



D100 LIGHT SYSTEM INSTALLATION

1. Install/Remove the D100 Light to the Handle and Stand.
2. Position the Light Head with Mounting Knobs bracket stand so parts are aligned. Loosen Mounting Knobs so the bolt shaft fits into the angled bracket slot.



3. Tighten the Mounting Knobs so that the Light Head is secure and not loose within the bracket.
4. To remove the Light Head, loosen the Mounting Knobs until the Light Head can spin freely. Pull the Light Head from the Bracket angled slots.

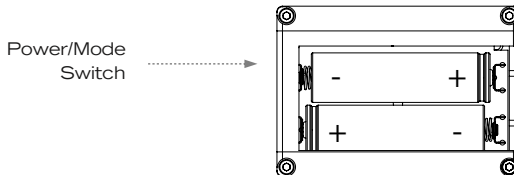
NOTE: Be careful not to fully loosen the Mounting Knobs as they are not retained in the Light Head.

D100 LIGHT SYSTEM BATTERY

- ❖ D100® requires two (2) 18650 batteries.
- ❖ Mixing of new and used, or different brand batteries, is not recommended as this could lead to leakage or explosion.

BATTERY INSTALLATION AND REPLACEMENT

- 1 Slide the battery cover open and insert the battery according to the plus (+) and minus (-) symbol located inside of the battery compartment.
- 2 Once batteries are installed, test the light's performance by activating the Power/Mode Switch. Slide the battery cover back on.



CHARGING THE BATTERY

Refer to the instruction manual provided with the XTAR Battery Charger.

OPERATIONAL MODES

OPERATIONAL MODES

- ❖ Press and hold Power/Mode Button to turn the light ON.
- ❖ Press Power/Mode Button again to turn the light OFF.

MODE	LUMENS	BATTERY LIFE
ON	2,300	70 minutes

WARRANTY AND OTHER INFORMATION

PRODUCT DURABILITY



CARE/CLEANING

Your FoxFury product is a professional tool. Regular maintenance and care of your light will maximize performance for you. As needed, clean your FoxFury product using a soft washcloth. Do not immerse.

ACCESSORIES

- Rechargeable 18650 Li-Ion Battery, P/N 70-18650T
- Battery Charger, P/N 600-155

WARNINGS

FoxFury, LLC is not responsible for the incorrect use of any FoxFury Lighting product.

- When used for extended periods of time the D100® will become HOT to the touch. Please use care when operating.
- Lights are strong enough to cause damage to the human eye.
- Do not stare into LEDs for long periods of time or from a close range (less than 2 ft / 0.6 m).
- FoxFury, LLC is not responsible for any injury or damage caused during the use of this product.

- Usage of this product must be supervised by an adult when it is being used by a minor.
- Any FoxFury product should be operated at speeds safe enough to maneuver around surrounding obstacles.
- Do not use under the influence of drugs or alcohol.

ONE YEAR WARRANTY

FoxFury, LLC (“FoxFury”) warrants this product to be free from defects in material for one year after purchase. Li-Ion batteries have a one year pro-rated or 500 re-charge cycle pro-rated warranty, whichever the user reaches first.

This warranty is given only to the original end user of the accompanying product. If you purchased a product from someone other than an authorized FoxFury reseller/distributor or if the product was used, (including but not limited to demo models, show models or refurbished product by someone other than FoxFury) prior to your purchase, you are not the Original Purchaser and the product that you purchased is not covered by this warranty. This warranty is VOID if this Product has been altered or modified in any way (including but not limited to attempted warranty repair without authorization from FoxFury and/or alteration/removal of the serial number). To expedite warranty concerns, we encourage the end user to register their FoxFury Product at

www.foxfury.com/pages/warrantyregistration.

THIS IS THE ONLY WARRANTY, EXPRESSED OR IMPLIED, INCLUDING ANY WARRANTY OF MERCHANTABILITY OR FITNESS FOR A PARTICULAR PURPOSE. INCIDENTAL, CONSEQUENTIAL OR SPECIAL DAMAGES ARE EXPRESSLY DISCLAIMED EXCEPT WHERE SUCH LIMITATION IS PROHIBITED BY LAW.

You may have other specific legal rights which vary by jurisdiction. Go to www.foxfury.com/pages/warranty for a complete copy of the warranty. Retain your receipt for proof of purchase.

CONTACT FOXFURY

FoxFury, LLC
Oceanside, CA 92056 USA

Tel: 760.945.4231

Email: service@FoxFury.com

Web: FoxFury.com

All FoxFury products are designed in Oceanside, CA. All FoxFury products are manufactured with the highest quality USA and foreign parts. Products are assembled in either FoxFury's controlled plant in Asia or the USA, under strict quality control.

CALIFORNIA PROPOSITION 65

This product can expose you to chemicals including Lead and DEHP, which are known to the State of

California to cause cancer and birth defects or other reproductive harm.

For more information go to www.P65Warnings.ca.gov.

