

TAKER R40

700-331

PRODUCT MANUAL

TABLE OF CONTENTS

INTRODUCTION

Taker R40 Reference Guide	3
Overview	4
Physical Characteristics & Warnings	4

POWER PACK

Charging the Power Pack	5
Reassembling the Taker R40 after Charging	6
Power Pack Life	6

OPERATION

Operational Modes	6
-------------------	---

SHIELD INSTALLATION

Removing the Adaptor Shroud	7
Riot Shield Installation with Bolts	8
Riot Shield Installation with 3M Reclosable Fastener	9
Capture Shield Installation	10

MAINTENANCE

Replacing the "O"-Ring	11
Removing the Guards	11

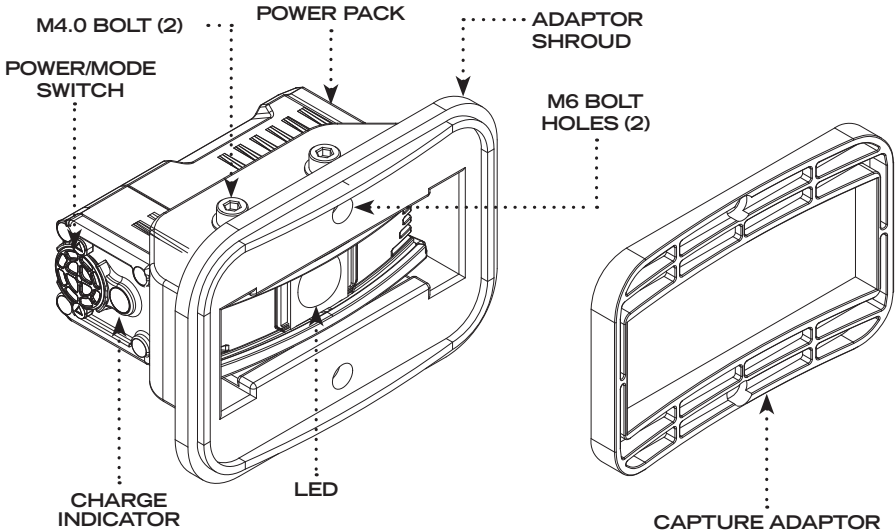
WARRANTY	12-13
-----------------	-------

CONTACT FOXFURY	13
------------------------	----

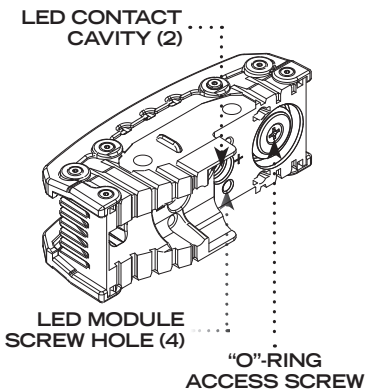
DRILLING TEMPLATE	14
--------------------------	----

TAKER R40 REFERENCE GUIDE

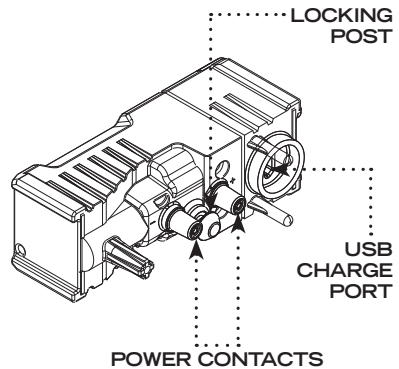
FULL ASSEMBLY (TOP VIEW—POWER/MODE SWITCH VISIBLE)



DISASSEMBLED LIGHT HEAD



DISASSEMBLED POWER PACK



OVERVIEW

The Taker R40 is a compact and powerful LED Light, the first of its kind, which has the ability to be fastened to a riot or capture shield, held by hardware or with industrial-strength reclosable fasteners. Mounted to the inside of the shield, it prevents the light from being grabbed by the opposing force, and gaining control of the shield. Having two different modes (Continuous On and Turbo-Strobe™), makes it a powerful tool for Law Enforcement, Corrections, and the Military. A Charge Indicator and Quick Swap™ Power Pack make the Taker R40 unequaled in the field.

IMPORTANT!

Please fully charge the Power Pack before using the Taker R40 for the first time.






Please read below before using your Taker R40 as it relays beneficial operating and safety information.

PHYSICAL CHARACTERISTICS

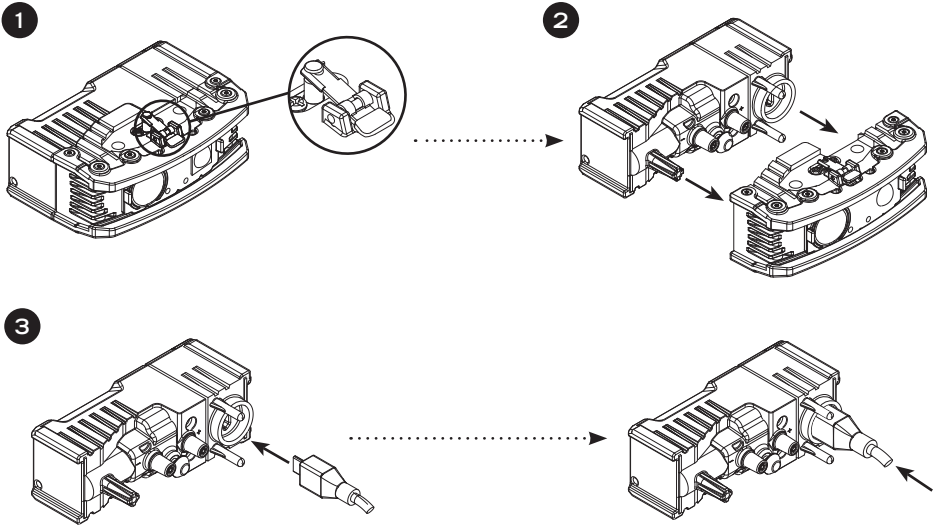
TAKER R40

DIMENSIONS	2.6 x 2.4 x 3.8 in (66 x 61 x 97 mm)
WEIGHT	7.2 oz (204 g) with Power Pack and Light Head 2.4 oz (69 g) Power Pack

WARNINGS

-  When used for extended periods of time the R40 will become HOT to the touch. Please use care when operating.
 -  Do not stare into LEDs for long periods of time or from a close range (less than 2 ft or 0.6 m).
 -  FoxFury's Turbo-Strobe™ is purposely designed to induce disorientation. Prolonged viewing may produce vertigo or even vomiting.
 -  While using any FoxFury product, please operate at safe speeds.
 -  Be sure to rinse the Taker R40 with fresh water immediately after use if product has been subjected to chemicals or saltwater.
-

CHARGING THE POWER PACK



- 1 Press and hold the Power Pack Release Lever located on the Light Head portion of the Taker R40.
- 2 While maintaining pressure on the Power Pack Release Lever, pull the Light Head and the Power Pack apart.

❖ If unable to pull apart easily (due to resistance of the internal rubber gasket), try moving the Power Pack back and forth while pulling apart.

NOTE: Once apart, be sure to keep both ends dry and away from water, moisture and dust. While the Power Pack and Light Head are separated, the unit DOES NOT maintain its waterproof rating.

- 3 Insert the provided Micro USB Cable into the Power Pack—respect the orientation/alignment. Then, insert the opposite end, USB (Type A) into a USB compatible power source or into a USB Wall Charger/Adapter (not included).

❖ The Charge Indicator will be solid red while charging. Once fully charged, it will turn green.

❖ Charging time will be approximately 2.5 hours.

❖ After the Power Pack is charged, disconnect it from the USB Cable.

IMPORTANT: The R40 in steps 1–3 is shown without the Adaptor Shroud and is flipped to show the Power Pack Release Lever. The R40 does NOT need to be removed from the Adaptor Shroud to change Power Packs.

REASSEMBLING THE R40 AFTER CHARGING

- 1 Install the Power Pack to the Light Head—confirm position of alignment posts to their respective cavities.
- 2 Push both halves together. A ‘click’ should be heard as they become locked together.
 - ❖ Test the light to make sure that the Power Pack is properly connected to the Light Head by pressing the Power/Mode Switch.

POWER PACK LIFE

MODE	POWER PACK LIFE*	LUMENS
CONTINUOUS ON	1 hour	650
TURBO-STROBE™	1.75 hours	650

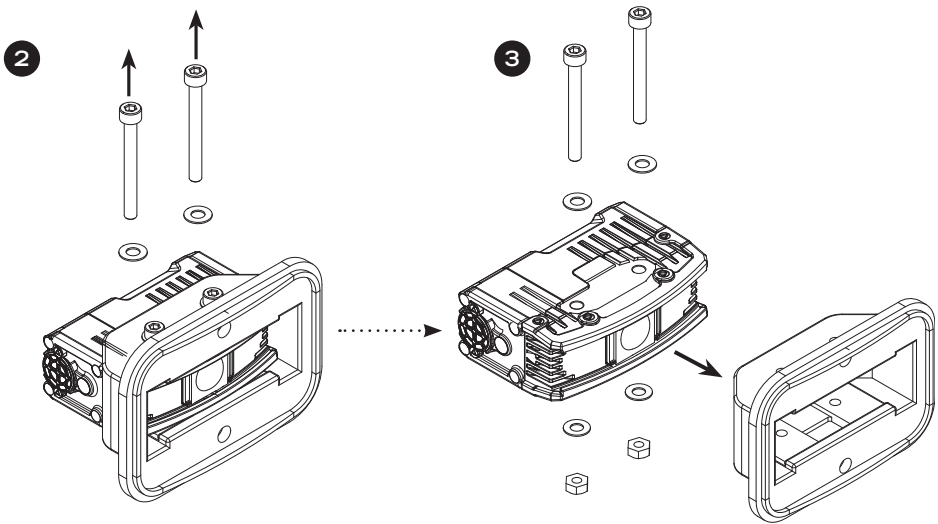
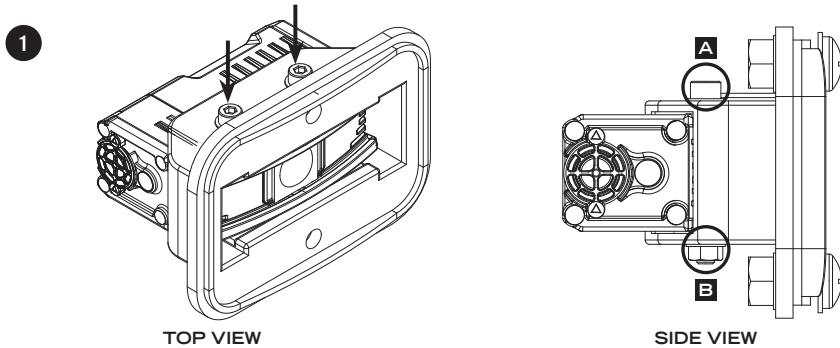
*Power Pack life may vary according to age and ambient conditions.

OPERATIONAL MODES

- ❖ For CONTINUOUS ON mode: Press and hold the Power/Mode Switch once.
- ❖ For TURBO-STROBE™ mode: From CONTINUOUS ON mode, press the Power/Mode Switch once.
- ❖ OFF: From TURBO-STROBE™ mode, press the Power/Mode Switch once.
- ❖ LOW POWER INDICATOR: At a low level, the Charge Indicator will flash for approximately 0.5–1.0 sec. It is suggested that you then charge or replace the Power Pack with a fully charged one.

NOTE: Once the LOW POWER INDICATOR comes on, there is approximately 1–2 minutes of power remaining.

REMOVING THE ADAPTOR SHROUD

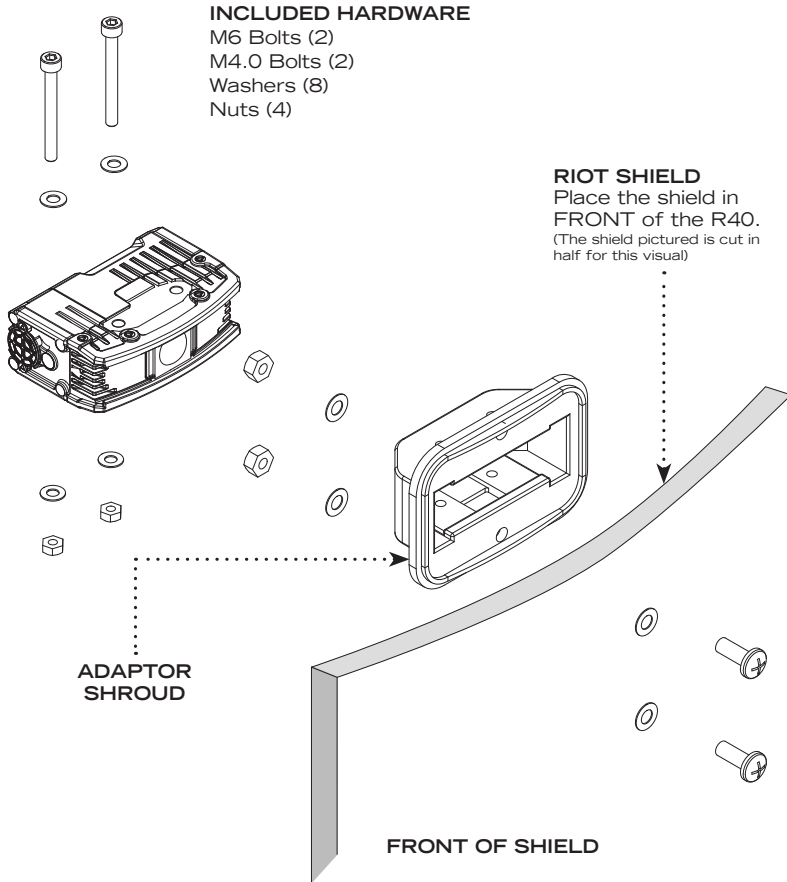


- 1** Begin with the R40 in the "Top View" (positioned the same as the "Full Assembly" diagram on p. 3) and locate the two (2) pre-installed M4.0 bolts (**A**) on the top of the Light Head. Then position the R40 into the "Side View," and re-locate the two (2) pre-installed M4.0 bolts and nuts (**A** and **B**).
- 2** While still in the "Side View," use a small adjustable wrench to hold the bottom nut of one (1) of the bolts. Then, while still holding the wrench, use the provided Hex Key (2.5 mm AF) to loosen the top of the bolt by turning counter-clockwise, until it comes off completely. Repeat this step again for the second bolt.
- 3** Once both bolts are loose, the R40 can be removed from the Adaptor Shroud by pulling it forward and off.

FOR REINSTALLATION: Repeat the steps above in reverse order.

RIOT SHIELD INSTALLATION

INSTALLING THE R40 TO A RIOT SHIELD USING BOLTS

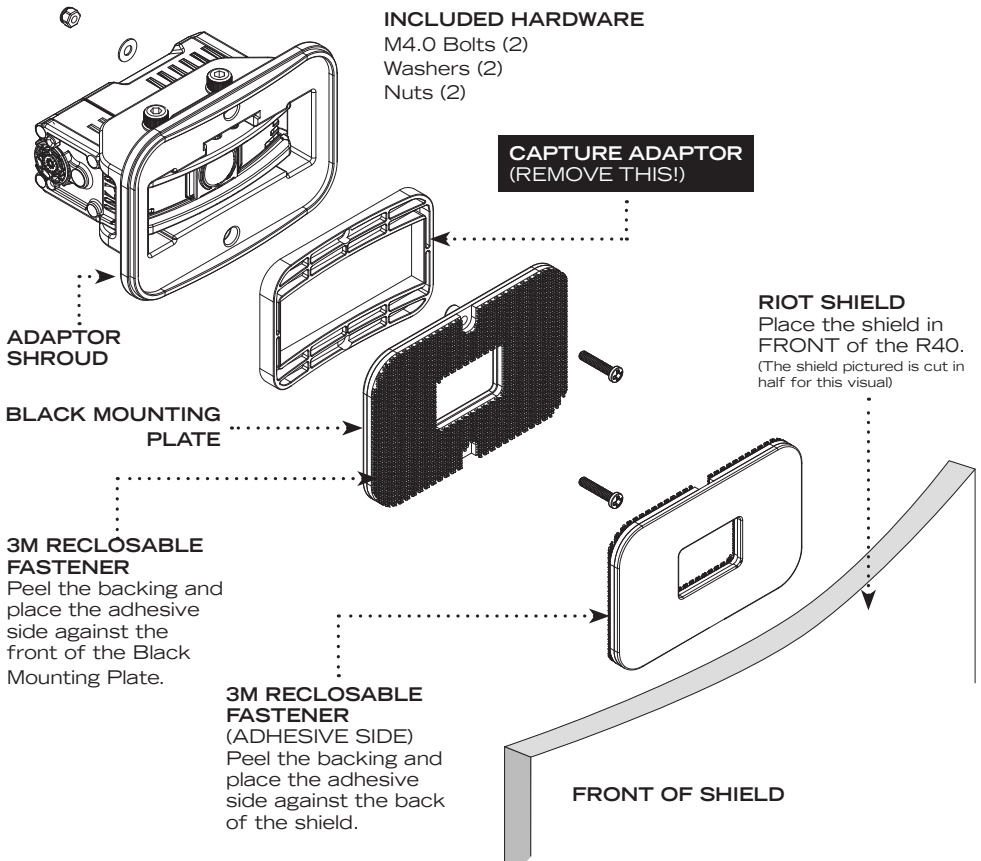


- 1 Print out "Drilling Template" on Product Manual Page (<https://www.foxfury.com/resources/product-information/manuals/>). Drill two (2) holes in the riot shield using the template.
- 2 Assemble the R40 light to the Adaptor Shroud then place the light against the INSIDE of the riot shield.
- 3 Use a screwdriver and crescent wrench to install and secure the R40 to the inside of the riot shield using the supplied hardware (M6 bolt, washers, and nuts).

NOTE: Be careful not to overtighten the bolts!

RIOT SHIELD INSTALLATION

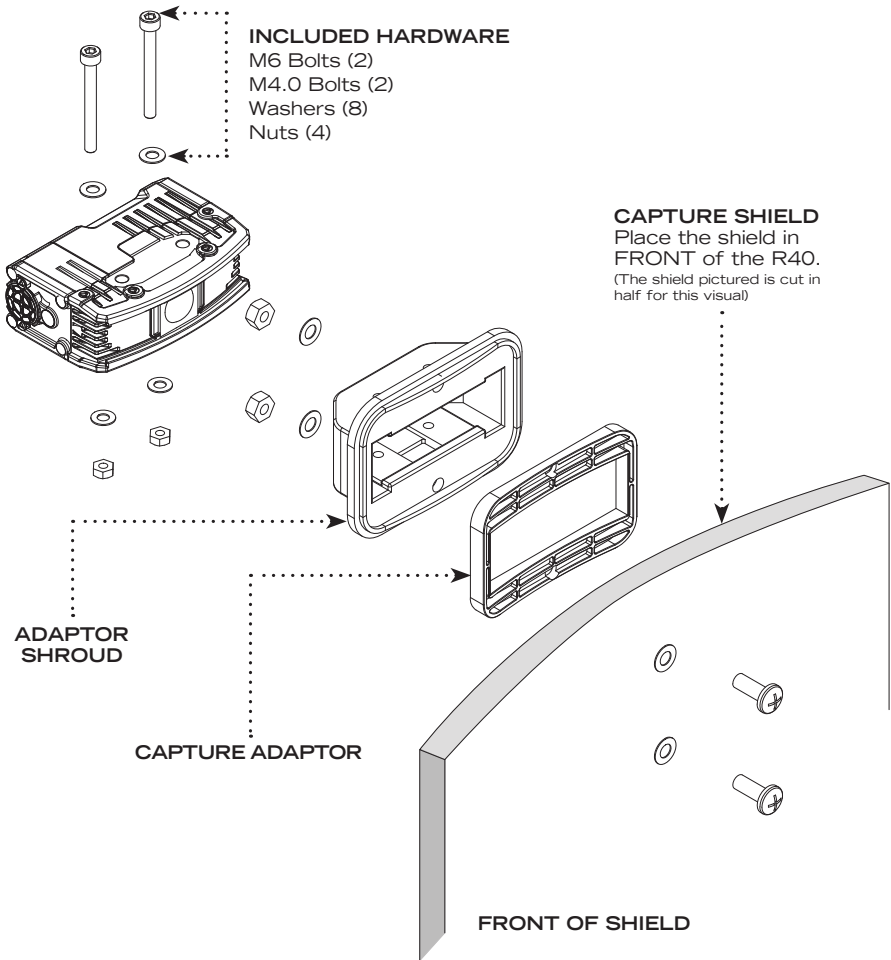
INSTALLING THE R40 TO A RIOT SHIELD USING THE 3M RECLOSABLE FASTENERS



- 1** FIRST, REMOVE THE CAPTURE ADAPTOR.
- 2** Peel the backing from one of the 3M Reclosable Fastener and put it on the Black Mounting Plate as shown above. Assemble the Black Mounting Plate to the Light Head using the included hardware. Use a screwdriver and crescent wrench to tighten adaptors to each other (NOTE: Do NOT overtighten).
- 3** Peel the backing from another 3M Reclosable Fastener and press it firmly against the inside of the shield for at least 5 mins.
- 4** Once the adhesive has set, align the center cutouts and press both 3M Reclosable Fasteners together to install the light onto the shield.

⚠ Allow 24–72 hrs for adhesive to set, before installing the light.

CAPTURE SHIELD INSTALLATION

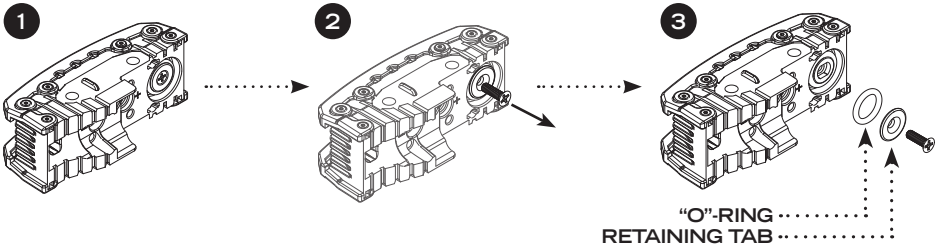


- 1 Print out "Drilling Template" on Product Manual Page (<https://www.foxfury.com/resources/product-information/manuals/>). Drill two (2) holes in the riot shield using the template.
- 2 Assemble the R40 light to the Adaptor Shroud AND the Capture Adaptor, then place the light against the INSIDE of the riot shield.
- 3 Use a screwdriver and crescent wrench to install and secure the R40 to the inside of the riot shield using the supplied hardware (M6 bolt, washers, and nuts).

NOTE: Be careful not to overtighten the bolts!

MAINTENANCE

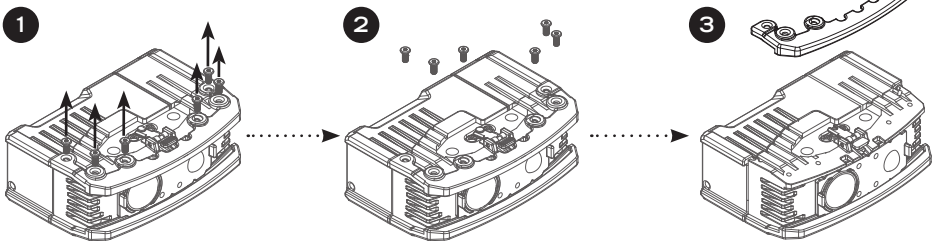
REPLACING THE "O"-RING (P/N 51-112)



- 1** Separate the Power Pack from the Light Head (follow steps 1–2 in the “Charging the Power Pack” section on p. 5).
- 2** Using a #2 Phillips head screwdriver (not included) remove the screw from the Light Head (reference “Disassembled Light Head” diagram on p. 3).
- 3** The Retaining Tab and “O”-Ring can now be removed.
 - ⚠ If the “O”-Ring does not fall out on its own when unscrewed, it may need to be pulled out.
 - ⚠ Examine the “O”-Ring for cracks. If cracks are found, a replacement will be needed to ensure the R40 waterproof rating.

FOR REINSTALLATION, follow the above listed steps in reverse order. NOTE: The “O”-Ring can be lubricated with a non-silicone based grease.

REMOVING THE GUARDS (P/N 51-905)



- 1** Use a size T6 Star-Tip (TORX) driver or bit (not included) to take out the screws on the top and bottom of the R40.
- 2** Once screws are loose, remove them and then lift up on the Guard to remove it.
- 3** Repeat steps 1–2 to remove the Guard on the opposite side of the R40.

FOR REINSTALLATION, make sure to tighten the screws until they are snug.

WARRANTY AND OTHER INFORMATION

PRODUCT DURABILITY



PRODUCT NAME: Taker R40

MODEL NUMBER: 700-331

Meets NFPA Requirements.

CARE/CLEANING

Your FoxFury product is a professional tool. Regular maintenance and care of your light will maximize performance for you. As needed, wash your FoxFury product using a soft washcloth, clean water and a mild soap. Be sure that both the Light Head and Power Pack are reassembled securely before washing. When done, pat dry with a damp cloth.

AVAILABLE ACCESSORIES

- ❖ Taker R40 Power Pack, P/N N50-210
- ❖ Rugo Guards (Top and Bottom), P/N 51-905
- ❖ "O"-Ring Replacement Kit, P/N 51-112

WARNINGS

FoxFury, LLC is not responsible for the incorrect use of any FoxFury Lighting product.

- ❖ When used for extended periods of time the Light Head will become HOT to the touch. Please use care when operating.
- ❖ Lights are strong enough to cause damage to the human eye.

- ❖ Do not stare into LEDs for long periods of time or from a close range (less than 2 ft or 0.6m).
- ❖ FoxFury, LLC is not responsible for any injury or damage caused during the use of this product.
- ❖ Usage of this product must be supervised by an adult when it is being used by a minor.
- ❖ Any FoxFury product should be operated at speeds safe enough to maneuver around surrounding obstacles.
- ❖ Do not use under the influence of drugs or alcohol.

LIMITED LIFETIME WARRANTY

FoxFury, LLC ("FoxFury") warrants this product to be free from defects in material for a lifetime of use except for batteries, LEDs, abuse, and normal wear. Mechanical components subjected to constant deformation or action, like springs and switches, and electronic components including chargers and LEDs are warranted for a period of two years from the time of purchase. FoxFury will repair or replace a product should it be determined defective.

Rechargeable batteries are consumable items, and carry a pro-rated 2 year warranty. Example: If a problem arises after one year of use, only 50% of the replacement cost will be charged, as long as the batteries are verified to have been charged, stored, and used in accordance with required practices.

This limited lifetime warranty is given only to the original end user of the accompanying product. If you purchased a product from someone other than an authorized FoxFury reseller/distributor or if the product was used, (including but not limited to demo models, show models or refurbished product by someone other than FoxFury) prior to your purchase, you are not the Original Purchaser and the product that you purchased is not covered by this warranty. This limited warranty is VOID if this Product has been altered or modified in any way (including but not limited to attempted warranty repair without authorization from Foxfury and/or alteration/removal of the serial number). To expedite warranty concerns, we encourage the end user to register their <https://www.foxfury.com/resources/product-information/product-registration/>.

THIS IS THE ONLY WARRANTY, EXPRESSED OR IMPLIED, INCLUDING ANY WARRANTY OF MERCHANTABILITY OR FITNESS FOR A PARTICULAR PURPOSE. INCIDENTAL, CONSEQUENTIAL OR SPECIAL DAMAGES ARE EXPRESSLY DISCLAIMED EXCEPT WHERE SUCH LIMITATION IS PROHIBITED BY LAW.

You may have other specific legal rights which vary by jurisdiction. Go to <https://www.foxfury.com/resources/product-information/warranty/> for a complete copy of the warranty. Retain your receipt for proof of purchase.

CONTACT FOXFURY

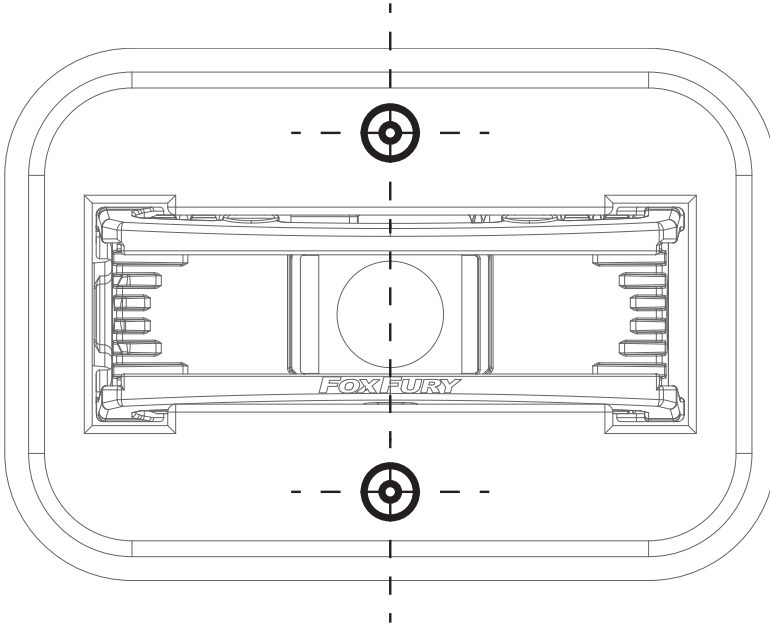
FoxFury, LLC
Oceanside, CA 92056 USA
Tel: 760.945.4231
Email: service@FoxFury.com
Web: FoxFury.com

All FoxFury products are designed in Oceanside, CA. All FoxFury products are manufactured with the highest quality USA and foreign parts. Products are assembled in either FoxFury's controlled plant in Asia or the USA, under strict quality control.

CALIFORNIA PROPOSITION 65

This product can expose you to chemicals including Lead and DEHP, which are known to the State of California to cause cancer and birth defects or other reproductive harm. For more information go to www.P65Warnings.ca.gov.

DRILLING TEMPLATE



NOTE:

Image above is NOT to scale and just for your reference only.
Please print the Drilling Template on Product Manual Page (<https://www.foxfury.com/wp-content/uploads/2023/06/Drilling-Template-for-Taker-R40-2023.pdf>).

