



# BREAKTHROUGH® SERIES RECHARGEABLE KIT PRODUCT MANUAL

Please read below before using your Breakthrough® Series Rechargeable Kit as it relays beneficial operating and safety information.

NOTE: Repeatedly leaving these units on continuous charge or charging during long storage (over 4 hours) will significantly shorten runtime and overall battery life.

P/N	NAME
600-380BT	BT Rechargeable Kit

Compatible with the following hybrid lights:

P/N	NAME
380-BT2-BLR	BT2 Black Rechargeable
380-BT2-YER	BT2 Yellow Rechargeable
380-BT2P-BLR	BT2+ Black Rechargeable
380-BT2P-ORR	BT2+ Orange Rechargeable

## INCLUDED IN THE KIT

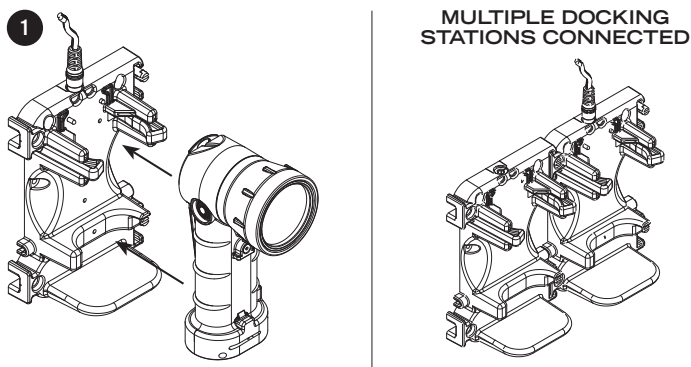
- ❖ BT Docking Station
- ❖ AC/DC Adaptor (100-240 VAC, 50/60Hz to 12VDC, 1A)
- ❖ BT Rechargeable Battery Pack

## DIMENSIONS

DOCKING STATION	
DIMENSIONS	5.0 x 2.7 x 6.5 in tall (127 x 70 x 165 mm)
WEIGHT	10.5 oz (298 g)

BATTERY PACK	
DIMENSIONS	1.8 x 0.9 x 4.3 in tall (45 x 22 x 108 mm)
WEIGHT	5.2 oz (147 g)

## CHARGING THE BT ON A DOCKING STATION



- 1 Place the BT into the Docking Station (the Battery does not need to be removed from the BT to charge).

- ❖ Approximate Charge Time: 2.5 hours

NOTE: Multiple Docking Stations can be connected by snapping them together if user desires to charge more than one BT at a time.

## BATTERY LIFE CHARGING INDICATOR

COLOR	DESCRIPTION
GREEN	FULLY CHARGED
FLASHING GREEN	CHARGING IN PROCESS

\*If a charging error occurs, please contact FoxFury Customer Service.

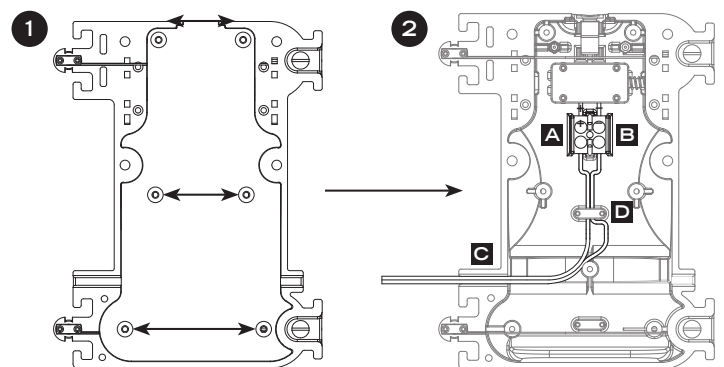
## CONNECTING TO A VEHICLE WIRING SYSTEM

For vehicle mounted systems the BT Docking Station may be either hardwired directly to a vehicle's DC electrical system via the terminal block (suggested installation) or use the adapter port in the top of the unit. The BT unit requires a minimum of 10VDC to a maximum 30VDC to charge. This makes the system compatible with standard 12 VDC automotive or 24VDC (Commercial / Military) electrical systems. There is no need of any additional adapter(s) for this application.

- ❖ A minimum of AWG#20 automotive grade wire is required.
- ❖ A single circuit can accommodate up to 3 BT Docking stations and should contain a 5A in line fuse or circuit breaker. The 5A in-line fuse should be placed on the positive (+) lead between the Docking Station and the power source.
- ❖

Note that there is a wire Channel C is located on either side of the unit to reduce exposed wiring and that a strain relief is provided on the assembly.

## UNITS WITH TERMINAL BLOCK



- 1 Begin by turning the Docking Station over. Unscrew the six (6) screws and remove the back panel. Remove the (2) small screws and remove top of the strain relief (D).

- 2 Using automotive quality wire, run the red positive (+) and black negative (-) wires from the power source through the C Channel. Connect and secure the red positive (+) wire to Position A. Then, connect and

secure the black negative (-) wire to Position **B**. If connecting additional Docking Stations to the existing one, snap them together as shown in “Charging the BT on a Docking Station” in the opposite column. For best performance, repeat these steps for every 3 Docking Stations that are connected.

NOTE: It is recommended that AWG#20 Cables are used.

- When finished with desired amount of Docking Stations, test that the Docking Stations will charge a BT. Then, reinstall the six (6) screws and covers that were removed in step 1.

## DOCKING STATION WARNINGS

- Do not attempt to charge other types of batteries as doing so may cause damage or explosion.
- Keep the charger away from humidity and liquids.
- Keep out of reach from children.
- Installation must be performed according to this installation guide. FoxFury, LLC is not responsible for issues arising from installation not performed according to the procedures stated above.

## PRODUCT DURABILITY

(Durability rating is for the light ONLY)



Meets NFPA 1971 Guidelines and can sustain exposure to 500°F (260°C) for 30 minutes.

## CARE/CLEANING

Your FoxFury product is a professional tool, but regular maintenance and care of your light will maximize performance for you. As needed, wash your FoxFury product using a soft washcloth, clean water and a mild soap. Be sure that the Battery Door is CLOSED before washing. When done, pat dry with a damp cloth.

## WARNINGS

FoxFury, LLC is not responsible for the incorrect use of any FoxFury Lighting product.

- Lights are strong enough to cause damage to the human eye.
- Do not stare into LEDs for long periods of time or from a close range (less than 2 ft).
- FoxFury, LLC is not responsible for any injury or damage caused during the use of this product.
- Usage of this product must be supervised by an adult when it is being used by a minor.
- Any FoxFury product should be operated at speeds safe enough to maneuver around surrounding obstacles.
- Do not use under the influence of drugs or alcohol.

## AVAILABLE ACCESSORIES

- BT Rechargeable Kit, P/N 600-380BT

Breakthrough® Wedge: Black (Pack of 3), P/N 700-WDG-BL

Breakthrough® Wedge: Yellow (Pack of 3), P/N 700-WDG-YE

## LIMITED LIFETIME WARRANTY

FoxFury, LLC (“FoxFury”) warrants this product to be free from defects in material for a lifetime of use except for batteries, LEDs, abuse, and normal wear. We will repair or replace this product should we determine it to be defective. This limited lifetime warranty excludes rechargeable batteries, chargers, switches, and electronics, which have a 2-year warranty with proof of purchase.

This limited lifetime warranty is given only to the original end user of the accompanying product. If you purchased a product from someone other than an authorized FoxFury reseller/distributor or if the product was used (including but not limited to demo models, show models or refurbished product by someone other than FoxFury) prior to your purchase, you are not the Original Purchaser and the product that you purchased is not covered by this warranty. This limited warranty is VOID if this Product has been altered or modified in any way (including but not limited to attempted warranty repair without authorization from FoxFury and/or alteration/removal of the serial number). To expedite warranty concerns, we encourage the end user to register their FoxFury Product at [www.foxfury.com/pages/warranty-registration](http://www.foxfury.com/pages/warranty-registration).

THIS IS THE ONLY WARRANTY, EXPRESSED OR IMPLIED, INCLUDING ANY WARRANTY OF MERCHANTABILITY OR FITNESS FOR A PARTICULAR PURPOSE. INCIDENTAL, CONSEQUENTIAL OR SPECIAL DAMAGES ARE EXPRESSLY DISCLAIMED EXCEPT WHERE SUCH LIMITATION IS PROHIBITED BY LAW.

You may have other specific legal rights which vary by jurisdiction. Go to [www.foxfury.com/pages/warranty](http://www.foxfury.com/pages/warranty) for a complete copy of the warranty. Retain your receipt for proof of purchase.

## CONTACT FOXFURY

FoxFury, LLC  
Oceanside, CA 92056 USA  
Toll-Free: 844-FOXFURY  
Tel: 760.945.4231  
Fax: 760.433.3650  
Email: [service@FoxFury.com](mailto:service@FoxFury.com)  
Web: [FoxFury.com](http://FoxFury.com)

All FoxFury products are designed in Oceanside, CA. All FoxFury products are manufactured with the highest quality USA and foreign parts. Products are assembled in either FoxFury’s controlled plant in Asia or the USA, under strict quality control.